

LABDESIGN

MANUFACTURER OF STEEL LABORATORY CASEWORK

QUICK-LAB™ CASEWORK

15 MODELS IN 10 DAYS



LABDESIGN

Proudly and Completely Made in the USA

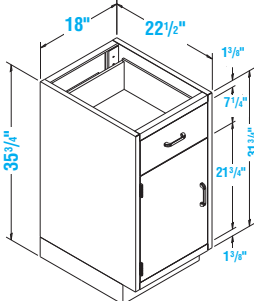
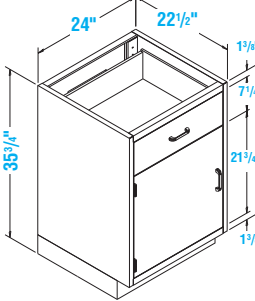
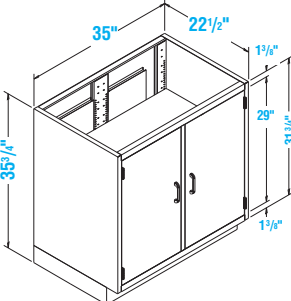
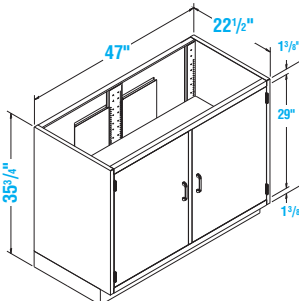
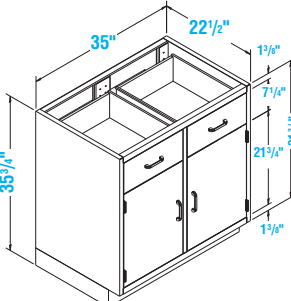
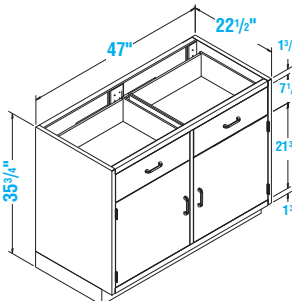
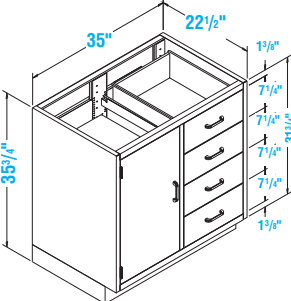
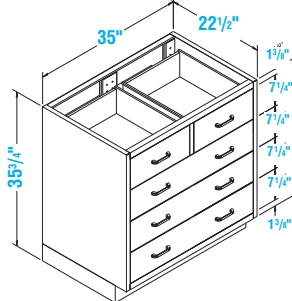
“CASEWORK VALUE BY DESIGN”

LABDESIGN, a manufacturer of steel laboratory casework and division of United Hospital Supply Corp., a manufacturer of steel pharmacy casework, proudly offers you its **QUICK-LAB™** casework product line. The line represents our 15 most popular models in our most popular color, champagne. The program also offers a countertop solution, service fixtures and related items such as reagent assemblies and fillers to complement your layout. **AVAILABILITY IS 10 DAYS** after receipt of your approved drawing and or signed purchase order.

Construction features are typical to **LABDESIGN'S** complete product line of over 250 base unit, wall unit and freestanding unit models. Only the finest U.S.A. cold rolled, prime gauge, mild furniture stock steel is used.

The all welded, heavy gauge unibody is manufactured in 16 and 18 gauge steel. The drawer slide, self-closing in design, is warranted for the life of the unit. The slide features removable roller bearings for sterilization purposes and continued ease of operation. Drawer and door pulls are cast in aluminum and our 100% corrosive resistant. A full submersion, 3 tank wash system cleans each unit individually and totally to ensure the proper surface for paint finish application. **LABDESIGN'S** corrosive resistant, epoxy based dry powder paint is electro-statically applied, then oven cured for 15 minutes at 400° to ensure the best finish possible. Cupboard interiors, pilasters and shelving feature 1" centers to easily accommodate your shelf height requirements. Models featuring glass doors feature a 1/4" thick glass

BASE UNIT MODELS

<p>#7002-18</p> <p>Unit includes one 7¹/₄" high drawer above cupboard door with one adjustable shelf.</p> 	<p>#7002-24</p> <p>Unit includes one 7¹/₄" high drawer above cupboard door with one adjustable shelf.</p> 
<p>#7101-35</p> <p>Unit includes two cupboard doors with one full width shelf.</p> 	<p>#7101-47</p> <p>Unit includes two cupboard doors with one full width shelf.</p> 
<p>#7102-35</p> <p>Unit includes two 7¹/₄" high drawers above two cupboard doors. One full width shelf is included.</p> 	<p>#7102-47</p> <p>Unit includes two 7¹/₄" high drawers above two cupboard doors. One full width shelf is included.</p> 
<p>#7121-35</p> <p>Unit includes four 7¹/₄" high drawers opposite one full height cupboard door and one adjustable shelf. Specify left or right hand cupboard door location.</p> 	<p>#7131-35</p> <p>Unit includes two 7¹/₄" high drawers above three 7¹/₄" high full width drawers.</p> 

encased in a double panel, reinforced steel frame with recessed rubber channeling. Customer controlled keylocks on any drawer or door may be added as necessary in the field.

Yes, **LABDESIGN** now gives you a solution to your immediate needs. However, if your scope of product needs go beyond the **QUICK-LAB™** program in regards to your dimensional design, our **LABDESIGN** complete product line is available to ship in 6-8 weeks in any color. Our competitors talk about providing a complete product line to deliver in 8/10 weeks, but as you likely know, the true delivery cycle runs more like 12-16 weeks. That could be a difficult and costly time loss for your company. When **LABDESIGN** says 6-8 weeks, we

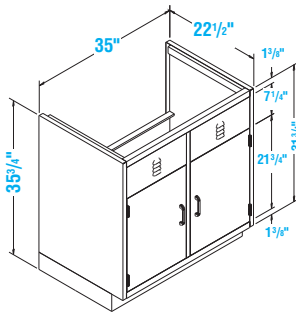
deliver in 6/8 weeks. If you would like to ascertain that, ask your **LABDESIGN** representative for any number of references to make you feel comfortable. Another thing that will make you feel comfortable is **LABDESIGN** is an American manufacturing company and has been such for over fifty years. **LABDESIGN** is a born and bred American manufacturing company. We are truly proud of that and hope that you are as well.

When quick delivery is what you must have, **LABDESIGN'S QUICK-LAB™** program is what you need. Call your **LABDESIGN** representative or call us directly and we'll put you in touch with the representative nearest you.

BASE UNIT SINK MODELS

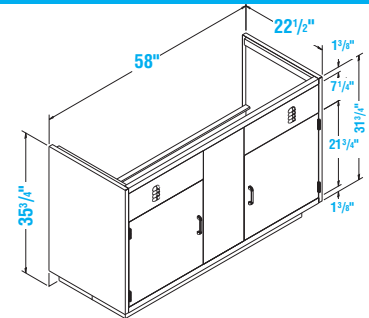
#7103-35

This standing height double sink base unit includes louvered panels above two cupboard doors.



#7103-58

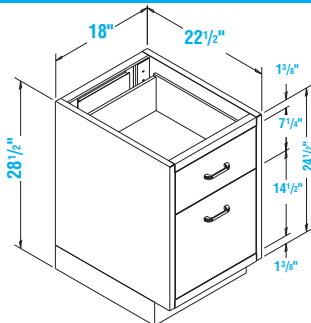
This end sink base unit features louvered panels above spaced cupboard doors and a three-sided toespace base for end of island or peninsula applications.



DESK HEIGHT MODEL

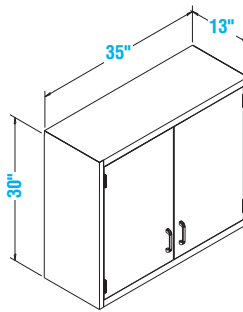
#7311-18

This sit-down unit includes one 7 1/4\"



#7602-35

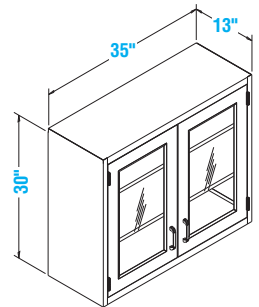
Unit includes two hinged steel doors and two adjustable shelves.



WALL UNIT MODELS

#7605-35

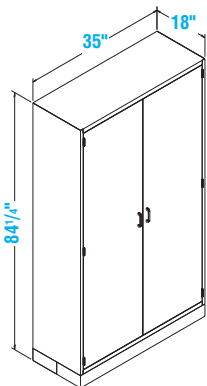
Unit includes two hinged glass, steel encased doors and two adjustable shelves.



FREESTANDING MODELS

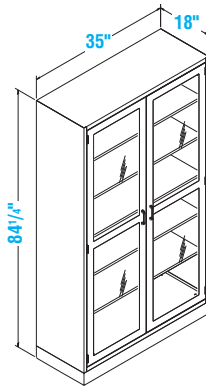
#7902-35

Unit includes five adjustable shelves behind hinged steel doors.



#7905-35

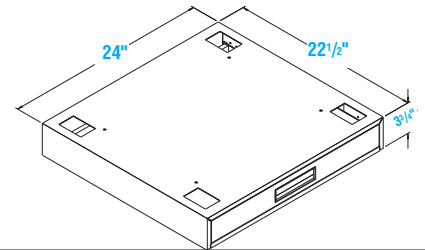
Unit includes five adjustable shelves behind hinged glass, steel encased doors.



KNEESPACE DRAWER MODELS

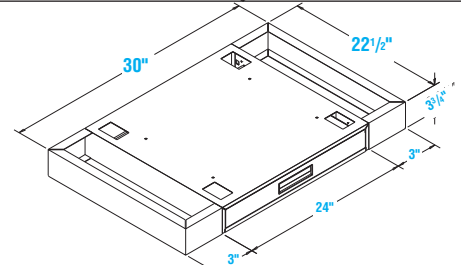
#7202-24

Unit includes a fully encased drawer housing with mounting cutouts, flush pull handle and full extension drawer slides.



#7202-30

Unit includes a fully encased drawer housing with mounting cutouts, flush pull handle and full extension drawer slides.

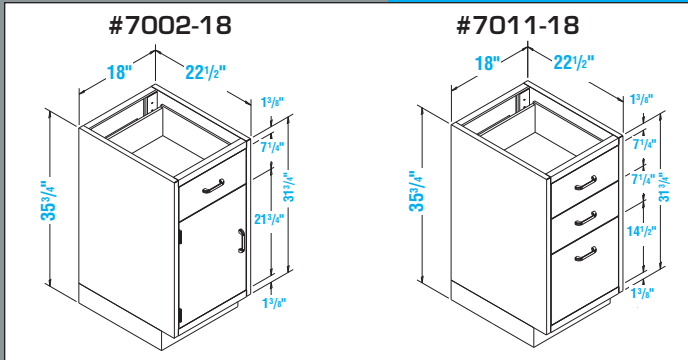


FLEXIBILITY AFTER THE FACT...

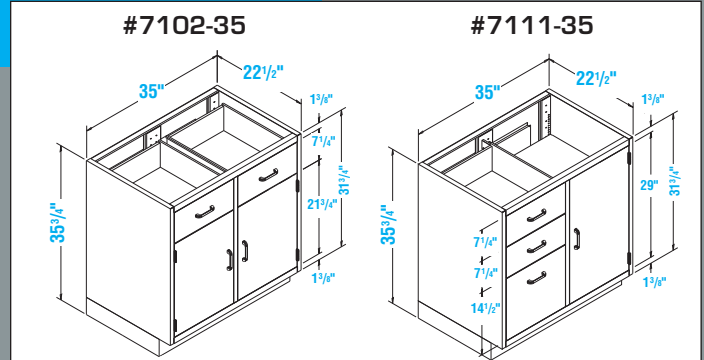
A real value added benefit to **LABDESIGN'S QUICK-LAB™** program is the configuration flexibility you'll have beyond your originally purchased units as configured with drawers and doors. All **LABDESIGN** base units are designed to be reconfigured in the field. The pre-punched internal drawer and door fastening design allows for you to remove existing

drawers and doors and replace them with alternative drawer and doors to meet your changing needs. After the fact, cupboard door swing change is designed into each unit for your convenience. As your lab changes or grows, your original investment can change or grow with you. **LABDESIGN**, thinking with you and for you.

EXAMPLES ...



This example shows **QUICK-LAB™** model # 7002-18 reconfigured to a non **QUICK-LAB™** model # 7011-18, The cupboard door is removed and replaced by a second 7 1/4" box drawer and one bulk storage drawer with the new drawer slides provided.



This example shows **QUICK-LAB™** model # 7102-35 reconfigured to a non **QUICK-LAB™** model # 7111-35. The left hand door is removed and replaced by a second 7" letter drawer and one bulk storage drawer. The three quarter height door is removed and replaced by one full height door.

QUICK-LAB™ COMPONENTS TO COMPLETE YOUR QUICK-LAB INSTALLATION

LABDESIGN compliments its **QUICK-LAB™** casework program by providing you with the basic essentials to open and operate. **LABDESIGN** vendor partners; WaterSaver, Inc. and DLT, Inc. offer **LABDESIGN** and you the same ten business day delivery cycle the **QUICK-LAB™** program does. Both phenolic resin and epoxy resin black countertops are available from DLT, Inc. WaterSaver, Inc. provides two types of faucet fixtures and an eyewash as well. The **LABDESIGN QUICK-LAB™** program also provides you the availability of a 30"H x 12"/16"W reagent rack and both phenolic resin and epoxy resin pegboards if necessary. Complementing its casework, **LABDESIGN** offers you adjustable width front base and side base toe-space fillers to complete your layout as needed.

Call **LABDESIGN** today for your Laboratory product shipped in 10 days.

FIXTURES	TOPS & SINKS	REAGENT RACK	FILLERS
<p>#L414</p> <p>#L614</p> <p>#EW1022</p>	<p>P.R. COUNTERTOP, 1" THICK BY WIDTH and DEPTH</p> <p>E.R. COUNTERTOP, 1" THICK BY WIDTH and DEPTH</p> <p>#D50</p> <p>#D30</p> <p>3"x6" CUP SINK</p>	<p>Reagent Upright 30" Assembly</p> <p>Reagent Upright 18" Assembly</p> <p>Pegboard</p>	<p>W" Front Base Filler</p> <p>H" Side Base Filler</p>