



Migali®

Tried and Trusted Since 1955.™



| EVO-HUR23-ADA I

- Patient Care
- Laboratory
- Pharmacy



I Specifications I

REFRIGERATION SYSTEM

- Medications require +36 F to +46 F (+3 C to +8 C)
- Nourishment products +33 F to +40 F (+1 C to +5 C)
- Factory set to display in Celsius
- Field-convertible to Fahrenheit display
- Forced-Air refrigeration system maintaining chamber uniformity and fast recovery after door openings
- Digital Microprocessor for precise temperature control and safe storage environment
- Automatic condensate evaporator
- Programmable defrost
- Non-CFC, commercially available refrigerant

CONSTRUCTION

- Beautiful high polished 300 series stainless steel interior + exterior
- Cabinet Height is 32.23" high, certified under American Disability Act
- Door is self-closing and field reversible
- 2" high density, CFC free urethane insulation
- Rear access port for installation of temperature monitoring accessories
- Coved Interior floor corners, eliminating seams and edges
- Magnetic door gasket easily replaced without the use of tools
- [2] epoxy coated metal shelves
- Leveling feet included
- Key lock

MAINTENANCE + CLEANING

- Easy front access to compressor, condenser coil, and digital microprocessor controls for fast cleaning and maintenance
- Front breathing air ventilation eliminating the need for side clearance

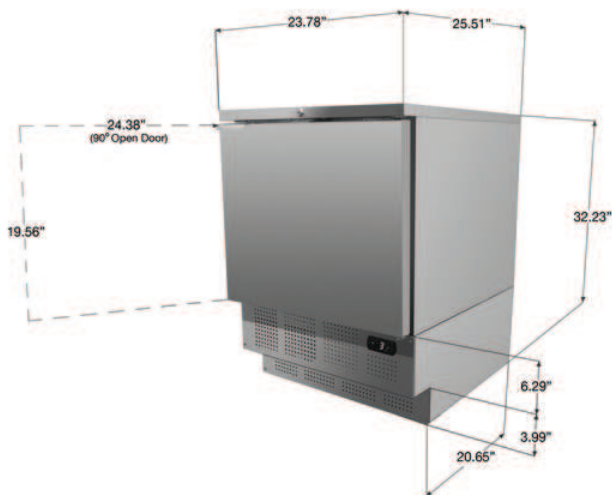
WARRANTY

- 5 Years Compressor / 2 Years Parts / 1 Year Labor

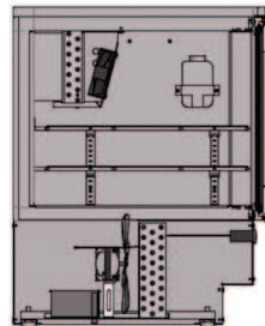
Model	Dimensions	Volume	H.P.	Amps	Voltage	Plug	BTU's	Ship lbs
EVO-HUR23-ADA	23.78"w x 25.51"d x 32.23"h	4.3 cu/ft	1/6	2.9	115/60/1	5-15P	1056	133

OPTIONS + ACCESSORIES

- A) Chart recorder
- B) Data logger
- E) Hi-Low alarm with battery backup
- F) Additional Shelf



Interior View



[SINCE 1955]

Migali Industries, Inc 516 Lansdowne Ave. Camden NJ 08104

Tel: 800 852 5292 Fax: 856 963 3604

email: ejmigali@migali.com web: www.migali.com

